



## Communication Tower Accessories

Download this catalog online at

[www.commstructures.com](http://www.commstructures.com)

**101 East Roberts Road  
Pensacola, FL 32534 USA  
Phone 850 968 9293  
FAX 850 968 9283**

\*CommStructures, Inc. has a policy of continuous improvement. We reserve the right to change design and specification without notice.

# Tower Accessory Pricing

\* Price List Current as of January 2009

## Universal Sector Frame: Clamp fits 1 ½" to 6" tower leg

USF-12.5-3-84	12.5 ft. Pivoting face, mounting hardware, (3) 84" pipe mounts	\$449.00
USF-12.5-3-96	12.5 ft. Pivoting face, mounting hardware, (3) 96" pipe mounts	\$461.00
USF-12.5-3-108	12.5 ft. Pivoting face, mounting hardware, (3) 108" pipe mounts	\$475.00
USF-12.5-4-84	12.5 ft. Pivoting face, mounting hardware, (4) 84" pipe mounts	\$565.00
USF-12.5-4-96	12.5 ft. Pivoting face, mounting hardware, (4) 96" pipe mounts	\$580.00
USF-12.5-4-108	12.5 ft. Pivoting face, mounting hardware, (4) 108" pipe mounts	\$590.00

## Universal Sidearm Antenna/ Microwave Mount: Clamp fits 1 ½" to 6" tower leg

USAM-F-2	Flush mount, (1) 2-3/8" x 72" pipe mount	\$189.00
USAM-F-4	Flush mount, (1) 4.5" x 48" pipe mount	\$195.00

## Universal Coaxial Support Ladder:

UCSL-2.5	Assembled, 2.5' wide rungs, 10' sections	\$70.00
----------	--	---------

## Ice Bridge:

IB-10-2	2' W x 10'L, 3 trapezes, 3 rungs, 2 posts (3" x 14')	\$475.00
---------	--	----------

## Co-Location Platform, Low Profile:

COLO-A-9-84	13' Face, "A" Collar Size (9) 84" pipe mounts	\$1,865.00
COLO-A-9-96	13' Face, "A" Collar Size (9) 96" pipe mounts	\$1,877.00
COLO-A-9-108	13' Face, "A" Collar Size (9) 108" pipe mounts	\$1,891.00
COLO-A-12-84	13' Face, "A" Collar Size (12) 84" pipe mounts	\$2,045.00
COLO-A-12-96	13' Face, "A" Collar Size (12) 96" pipe mounts	\$2,057.00
COLO-A-12-108	13' Face, "A" Collar Size (12) 108" pipe mounts	\$2,071.00
COLO-B-9-84	13' Face, "B" Collar Size (9) 84" pipe mounts	\$1,935.00
COLO-B-9-96	13' Face, "B" Collar Size (9) 96" pipe mounts	\$1,947.00
COLO-B-9-108	13' Face, "B" Collar Size (9) 108" pipe mounts	\$1,961.00
COLO-B-12-84	13' Face, "B" Collar Size (9) 84" pipe mounts	\$2,115.00
COLO-B-12-96	13' Face, "B" Collar Size (9) 96" pipe mounts	\$2,127.00
COLO-B-12-108	13' Face, "B" Collar Size (9) 108" pipe mounts	\$2,141.00
COLO-X-9-XX-W	Adds the Handrails/Walking rails for 9 pipes	+\$365.00
COLO-X-12-XX-W	Adds the Handrails/Walking rails for 12 pipes	+\$520.00

**Monopole Adjustable Tri-Sector -Mount:**

MATM-13-A-9-84	13' Pivoting Face, "A" Collar Size (9) 84" pipe mounts	\$1,825.00
MATM-13-A-9-96	13' Pivoting Face, "A" Collar Size (9) 96" pipe mounts	\$1,837.00
MATM-13-A-9-108	13' Pivoting Face, "A" Collar Size (9) 108" pipe mounts	\$1,851.00
MATM-13-A-12-84	13' Pivoting Face, "A" Collar Size (12) 84" pipe mounts	\$2,005.00
MATM-13-A-12-96	13' Pivoting Face, "A" Collar Size (12) 96" pipe mounts	\$2,017.00
MATM-13-A-12-108	13' Pivoting Face, "A" Collar Size (12) 108" pipe mounts	\$2,031.00
MATM-13-B-9-84	13' Pivoting Face, "B" Collar Size (9) 84" pipe mounts	\$1,895.00
MATM-13-B-9-96	13' Pivoting Face, "B" Collar Size (9) 96" pipe mounts	\$1,907.00
MATM-13-B-9-108	13' Pivoting Face, "B" Collar Size (9) 108" pipe mounts	\$1,921.00
MATM-13-B-12-84	13' Pivoting Face, "B" Collar Size (12) 84" pipe mounts	\$2,075.00
MATM-13-B-12-96	13' Pivoting Face, "B" Collar Size (12) 96" pipe mounts	\$2,087.00
MATM-13-B-12-108	13' Pivoting Face, "B" Collar Size (12) 108" pipe mounts	\$2,101.00
MATM- 13-X-9-X-W	Adds the Handrails/Walking rails for (9) pipe mounts	+\$365.00
MATM- 13-X-12-X-W	Adds the Handrails/Walking rails for (12) pipe mounts	+\$520.00

**Tri-Sector Sidearm Mount (3 sectors):**

MSAM-6-A	6' standoff "A" Collar (3) 2-3/8" x 84" pipe mounts	\$1,180.00
MSAM-6-B	6' standoff "B" Collar (3) 2-3/8" x 84" pipe mounts	\$1,250.00

**Microwave/Single Antenna Mount (3 sectors):**

MSAM-1.5-2-A	1.5' standoff "A" Collar (3) 2-3/8" x 84" pipe mounts	\$1,125.00
MSAM-1.5-2-B	1.5' standoff "B" Collar (3) 2-3/8" x 84" pipe mounts	\$1,195.00
MSAM-1.5-4-A	1.5' standoff "A" Collar (3) 3.5" x 48" pipe mounts	\$1,140.00
MSAM-1.5-4-B	1.5' standoff "B" Collar (3) 3.5" x 48" pipe mounts	\$1,210.00

**Mono-Clamp System:**

MCS- A	Mono-Clamp System (12"-26")	\$525.00
MCS- B	Mono-Clamp System (26"-56")	\$595.00

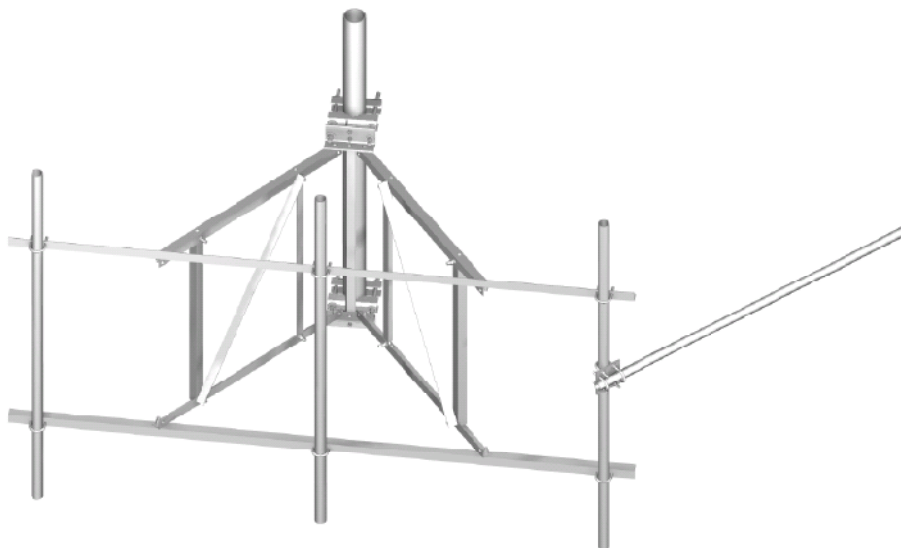
## UNIVERSAL SECTOR FRAME –12.5 USF-12.5

A lightweight, easy to assemble, highly flexible yet extremely strong sector mount that is simple to install.

This sector mount is designed to accommodate up to 4 antenna masts. The sector's azimuth can be individually adjusted by aligning the face to the desired azimuth and then tightening the lock bolts located on the tower leg mounting assembly. The tower leg mounting assembly also allows for tilt correction to ensure that the face is plumb.

The face width can be field modified down to 10.5 ft.

*Kit includes* - leg clamps for 1-1/2" to 6" diameter tower legs\*, complete sector assembly (12.5ft face allowing for 12ft separation of antennas), (3) 7ft pipe, 10.5ft tie back arm, and all associated mounting hardware. All Components are hot-dipped galvanized.



**Universal Sector Frame:** Clamp fits 1 1/2" to 6" tower leg

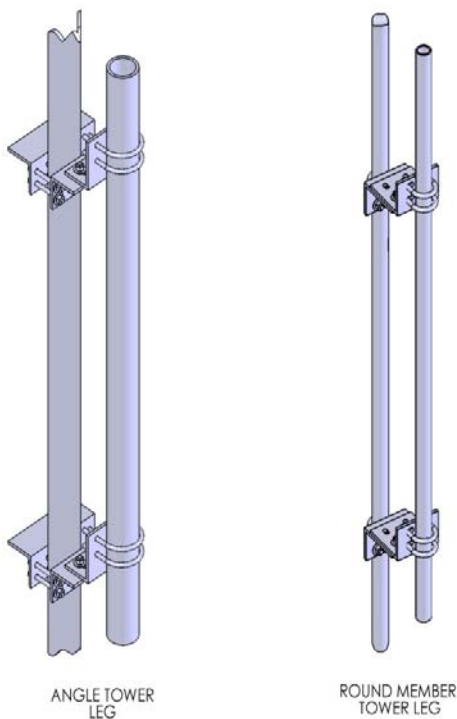
USF-12.5-3-84	12.5 ft. Pivoting face, mounting hardware, (3) 84" pipe mounts	\$449.00
USF-12.5-3-96	12.5 ft. Pivoting face, mounting hardware, (3) 96" pipe mounts	\$461.00
USF-12.5-3-108	12.5 ft. Pivoting face, mounting hardware, (3) 108" pipe mounts	\$475.00
USF-12.5-4-84	12.5 ft. Pivoting face, mounting hardware, (4) 84" pipe mounts	\$565.00
USF-12.5-4-96	12.5 ft. Pivoting face, mounting hardware, (4) 96" pipe mounts	\$580.00
USF-12.5-4-108	12.5 ft. Pivoting face, mounting hardware, (4) 108" pipe mounts	\$590.00

## UNIVERSAL SIDEARM ANTENNA MOUNT-FLUSH USAM- (2,4)

This highly adaptable mount allows for a single antenna/microwave mast to be directly attached to a tower leg. It is capable of attaching to both angle and round leg members ranging in size from 1" to 7" in diameter.

The mount allows for tilt adjustment on tapered legs. All components are hot dipped galvanized.

*Kit Includes:* Flush mounting plates, either 7' x 2-3/8" or 4' x 4.5" pipe mounts and all associated mounting hardware.



Approximate Weight: 75 lbs.

**Universal Sidearm Antenna/ Microwave Mount:** Clamp fits 1 1/2" to 6" tower leg

USAM-F-2	Flush mount, (1) 2-3/8" x 72" pipe mount	\$240.00
USAM-F-4	Flush mount, (1) 4.5" x 48" pipe mount	\$250.00

## UNIVERSAL COAXIAL SUPPORT LADDER (UCSL-2.5)

The UCSL is a sturdy, fully assembled cable support ladder that attaches to either round or angle member tower legs (1/2" to 6"). Each section of the ladder is 10 ft long, and the rungs are 30" in diameter spaced 40" apart. The rungs can accommodate (12) 3/4" snap-in style fasteners or (11) 3/8" mechanical fasteners.

All components are hot dipped galvanized.

Kit includes- fully assembled 10 ft section of cable ladder, mounting hardware for both round and angled legs, and sectional connecting hardware.



Weight- 46 lbs  
 Sections – 10ft long with connecting hardware  
 Mounting Hardware – attaches to 1/2" to 6" tower legs  
 Rungs – 30" (12) 3/4" & (11) 3/8' holes

**Universal Coaxial Support Ladder:**

<i>UCSL-2.5</i>	<i>Assembled, 2.5' wide rungs, 10' sections</i>	<b>\$70.00</b>
-----------------	---	----------------

## ICE BRIDGE (IB-10-2)

A 10ft. x 2ft. rugged Ice Bridge, easy to assemble and install.

Each bridge consists of (2) 14ft x 3" posts for direct burial, Post caps are included. Grip strut scaffolding, (2) heavy-duty bracket assemblies, & (3) trapeze assemblies with (3) rungs. Each rung can hold (8) 3/4" snap in hangers or (7) 3/8" bolt type hangers. All components are hot dipped galvanized.

*Kit includes* – (2) posts and caps, protective grip strut, (3) trapeze with 3 rungs each, and all mounting hardware for complete installation. Line Fasteners are not included.



Weight – 350 lbs.

Posts – (2) 14ft. x 3" Sch. 40 pipe, with caps

Grip Strut – 10ft. x 2ft.

Trapeze – (3) with 3 rungs, each rung holds (8) 3/4" or (7) 3/8" snap-ins

### Ice Bridge:

IB-10-2	2' W x 10'L, 3 trapezes, 3 rungs, 2 posts (3" x 14')	\$475.00
---------	--	----------

## LOW PROFILE CO-LOCATION PLATFORM COLO-A or B

This low-profile mount is a cost effective solution for many monopole co-locations.

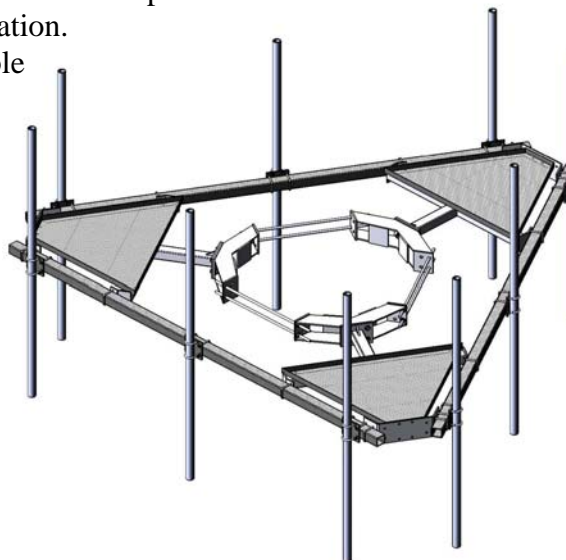
Designed to be rugged yet simple to assemble and install, this low profile solution for standard 120 degree sector mounting is an excellent option when a walking area is desired. The 13ft. faces allow for a variety of antenna mounting configurations. For durability all components are hot dipped galvanized.

*Kit includes-* a rotatable collar to fit 12" to 56" monopoles, working platform, (9) 7' antenna masts, and all associated mounting hardware.

Collar Sizes – A = 12" to 26", B = 26" to 56" OD Monopoles

\*Shown in typical (9) antenna mast configuration.

\*Optional handrails/walking rails are available



### Co-Location Platform, Low Profile:

COLO-A-9-84	13' Face, "A" Collar Size (9) 84" pipe mounts	\$1,865.00
COLO-A-9-96	13' Face, "A" Collar Size (9) 96" pipe mounts	\$1,877.00
COLO-A-9-108	13' Face, "A" Collar Size (9) 108" pipe mounts	\$1,891.00
COLO-A-12-84	13' Face, "A" Collar Size (12) 84" pipe mounts	\$2,045.00
COLO-A-12-96	13' Face, "A" Collar Size (12) 96" pipe mounts	\$2,057.00
COLO-A-12-108	13' Face, "A" Collar Size (12) 108" pipe mounts	\$2,071.00
COLO-B-9-84	13' Face, "B" Collar Size (9) 84" pipe mounts	\$1,935.00
COLO-B-9-96	13' Face, "B" Collar Size (9) 96" pipe mounts	\$1,947.00
COLO-B-9-108	13' Face, "B" Collar Size (9) 108" pipe mounts	\$1,961.00
COLO-B-12-84	13' Face, "B" Collar Size (9) 84" pipe mounts	\$2,115.00
COLO-B-12-96	13' Face, "B" Collar Size (9) 96" pipe mounts	\$2,127.00
COLO-B-12-108	13' Face, "B" Collar Size (9) 108" pipe mounts	\$2,141.00
COLO-X-9-XX-W	Adds the Handrails/Walking rails for 9 pipes	+\$365.00
COLO-X-12-XX-W	Adds the Handrails/Walking rails for 12 pipes	+\$445.00

## MONOPOLE ADJUSTABLE TRI-SECTOR MOUNT MATM-A or B

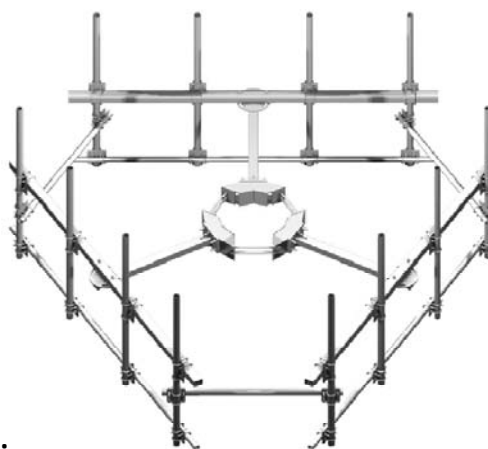
The MATM is a highly flexible mount that is easily installed.

Accommodates situations where other than fixed 120 degree sectors may be required. Sector adjustment is achieved through a pivoting connection of the face to the stand off arm. Simply align the face to the needed azimuth and tighten the lock nuts.

*Kit includes* - a rotatable collar to fit 12" to 56" diameter monopoles, 3 sector mounts in selectable 13ft. face size, 9 masts, foot rails, sector cross ties, and all associated mounting hardware.

Collar Sizes – A = 12" to 26", B = 26" to 56" OD Monopoles

\*Shown in twelve (12) antenna mast configuration with optional walking rails.



### **Monopole Adjustable Tri-Sector -Mount:**

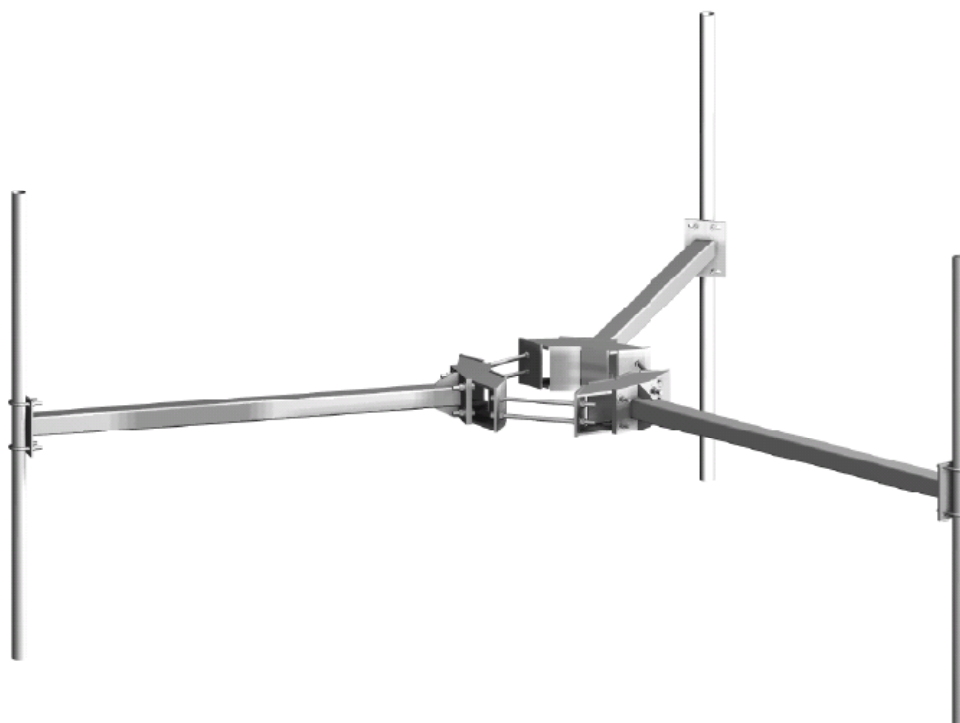
MATM-13-A-9-84	13' Pivoting Face, "A" Collar Size (9) 84" pipe mounts	\$1,825.00
MATM-13-A-9-96	13' Pivoting Face, "A" Collar Size (9) 96" pipe mounts	\$1,837.00
MATM-13-A-9-108	13' Pivoting Face, "A" Collar Size (9) 108" pipe mounts	\$1,851.00
MATM-13-A-12-84	13' Pivoting Face, "A" Collar Size (12) 84" pipe mounts	\$2,005.00
MATM-13-A-12-96	13' Pivoting Face, "A" Collar Size (12) 96" pipe mounts	\$2,017.00
MATM-13-A-12-108	13' Pivoting Face, "A" Collar Size (12) 108" pipe mounts	\$2,031.00
MATM-13-B-9-84	13' Pivoting Face, "B" Collar Size (9) 84" pipe mounts	\$1,895.00
MATM-13-B-9-96	13' Pivoting Face, "B" Collar Size (9) 96" pipe mounts	\$1,907.00
MATM-13-B-9-108	13' Pivoting Face, "B" Collar Size (9) 108" pipe mounts	\$1,921.00
MATM-13-B-12-84	13' Pivoting Face, "B" Collar Size (12) 84" pipe mounts	\$2,075.00
MATM-13-B-12-96	13' Pivoting Face, "B" Collar Size (12) 96" pipe mounts	\$2,087.00
MATM-13-B-12-108	13' Pivoting Face, "B" Collar Size (12) 108" pipe mounts	\$2,101.00
MATM- 13-X-9-X-W	Adds the Handrails/Walking rails for (9) pipe mounts	+\$365.00
MATM- 13-X-12-X-W	Adds the Handrails/Walking rails for (12) pipe mounts	+\$445.00

## MONOPOLE SIDEARM MOUNT

A lightweight solution for mounting (3) antennas to a monopole.

The standard mount has 3 sectors each with a 6ft. stand-off arm. The mast mounting plate will accept either a 2-3/8" to a 4-1/2" diameter mast. All components are hot dipped galvanized.

*Kit includes* - a rotatable collar to fit 12" to 56" diameter monopoles, 3 sectors each with 6ft. standoff arms, 3 masts, and all associated mounting hardware.



Approximate Weight – 600 lbs.

Standoff Arms – (3) 6ft.

Collar Sizes – A = 12" to 26", B = 26" to 56" OD Monopoles

### **Tri-Sector Sidearm Mount (3 sectors):**

MSAM-6-A	6' standoff "A" Collar (3) 2-3/8" x 84" pipe mounts	\$1,180.00
MSAM-6-B	6' standoff "B" Collar (3) 2-3/8" x 84" pipe mounts	\$1,250.00

## MONOPOLE SIDEARM MOUNT 1.5ft (MSAM-1.5)

A lightweight solution for mounting either microwave dishes or antennas to a monopole.

Mount has 3 sectors each with a 1.5ft. standoff arm. The mast mounting plate will accept from a 2-3/8" to a 4-1/2" diameter mast. All components are hot dipped galvanized.

*Kit includes* - a rotatable collar to fit 12" to 56" diameter monopoles, (3) 1.5ft. standoff arms, (3) masts, and all associated mounting hardware.



Approximate Weight – 400 lbs.

Standoff Arm – (3) 1.5ft.

Collar Sizes – A = 12" to 26", B = 26" to 56" OD monopoles

### **Microwave/Single Antenna Mount (3 sectors):**

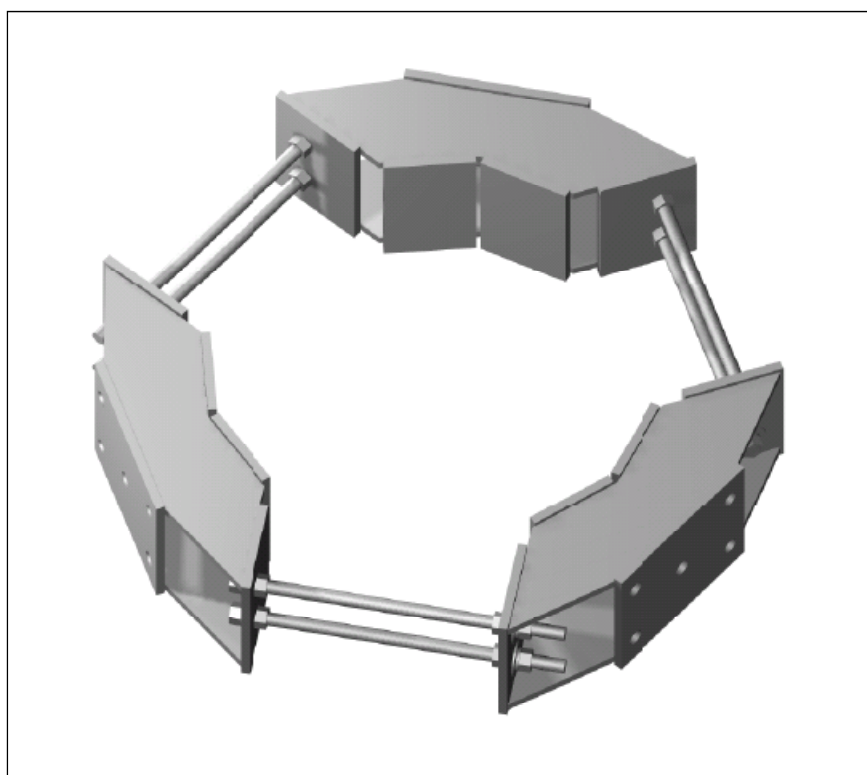
MSAM-1.5-2-A	1.5' standoff "A" Collar (3) 2-3/8" x 84" pipe mounts	\$1,125.00
MSAM-1.5-2-B	1.5' standoff "B" Collar (3) 2-3/8" x 84" pipe mounts	\$1,195.00
MSAM-1.5-4-A	1.5' standoff "A" Collar (3) 3.5" x 48" pipe mounts	\$1,140.00
MSAM-1.5-4-B	1.5' standoff "B" Collar (3) 3.5" x 48" pipe mounts	\$1,210.00

## MONO-CLAMP SYSTEM

The Mono-Clamp System is CommStructures solution to co-locating on all monopole towers. The Monoclamp utilizes (3) separate compression clamps that can be attached to both polygon and round pole towers with diameters ranging from 12” up to 56”.

Depending on the number of antennas to be mounted and the desired separation, the standardized clamp can be equipped with several different antenna platforms or sector arms. Microwave mounting pipes and flush mounting solutions are easily adapted to this versatile clamp. All components are hot dipped galvanized.

*Kit includes* – Compression clamp assembly and all thread, all associated mounting hardware.



Weight – A = 192 lbs., B = 246 lbs.  
 Collar Sizes – A = 12” to 26”, B = 26” to 56” OD monopoles

**Mono-Clamp System:**

MCS- A	Mono-Clamp System (12”-26”)	\$525.00
MCS- B	Mono-Clamp System (26”-56”)	\$595.00